



EpiSep NSD I (Neo-Magnetic Slide Dock)[®]

Model # A1101

WAVESENSE

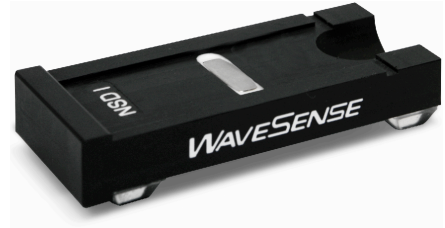
Intended Use:

For In Vitro Diagnostic Use.

This product is intended for the recovery/enrichment of magnetic particles from biological fluids and tissue culture.

Description:

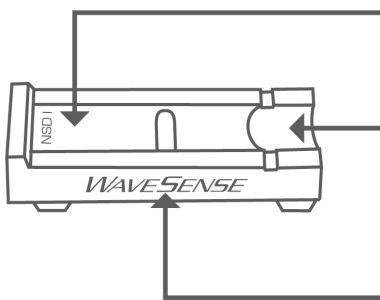
The EpiSep NSD I (Neo-Magnetic Slide Dock)[®] is a reusable slide holder with an embedded neodymium magnet designed for use in cell enrichment slide preparations utilizing magnetically labeled antibodies. The embedded magnet holds labeled target cells in a small capture area of EpiSep Slide Standard[®] and EpiSep Slide Large[®]. Unlabeled background cells can be flushed outside the capture area to facilitate inspection of target cells.



Supplied As:

Catalog #	Contains
A1101-1	1 Each
A1101-5	5 Pack

Featured Components:



Channeled design restricts vertical and lateral movement of standard 1" x 3" microscope slides during cell isolation.

Finger slot allows for easy slide access and removal from dock.

Embedded magnet allows non-target cells to flow to the sides while retaining magnetically labeled cells in a capture area of approximately 8 mm in width and 9 mm in height.

Storage:

Store dry at room temperature.

WaveSense Compatible Products (not included):

- EpiSep Slide Standard[®] (Model # A3101) and EpiSep Slide Large[®] (Model # A3102)

Material Safety Data:

Contains plastic components and magnets. In the event of breakage, wear gloves and eye protection for clean up as some pieces may be sharp and could cause injury. Keep away from electronics or cards with magnetic strips.

This product is covered by one or more claims of United States Patent Numbers 6,136,549; 6,713,271; 6,991,912 and Australian Patent Number 772407.

Product Specification Sheet



15339 Barranca Pkwy
Irvine, CA 92618 USA
www.WaveSense.net

Toll Free: 800.807.7760
Phone: 949.341.1980
Fax: 949.341.1982
Contact@WaveSense.net

ML081031-21
© 02/02/12

Page 1 of 1