

# 2mL Magnetic Tube Dock (MTD-2)

Model # A4104

**WAVESENSE**

## **Intended Use:**

This product is intended for the recovery/enrichment of magnetic particles from biological fluids, tissue culture and tissue homogenates that are used for In Vitro Diagnostic Use.

## **Description:**

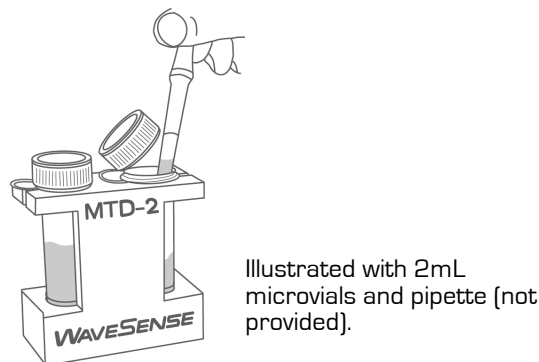
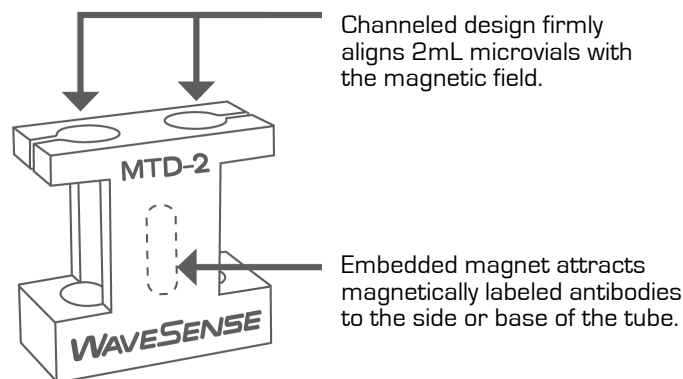
The MTD-2 is a reusable magnetic dock containing a single powerful neodymium permanent magnet suitable for isolating submicron and micron paramagnetic particles. It can be used whenever it is desirable to debulk specimens laden with debris, bacteria, mucous, and dense background cell populations typically found in cell pellets obtained from urine, blood, bone marrow, and tissue homogenates.



## **Supplied As:**

| Catalog # | Contains |
|-----------|----------|
| A4104-1   | 1 Each   |
| A4104-5   | 5 Pack   |

## **Featured Components:**



## **Storage:**

Store dry at room temperature.

## **Compatible Accessories (not included):**

- Cell Enrichment Station (CES 10.2), Model # A6101
- Standard 2mL microvials (available from multiple suppliers)

## **Material Safety Data:**

Contains plastic components and magnets. In the event of breakage, wear gloves and eye protection for clean up as some pieces may be sharp and could cause injury. Keep away from electronics or cards with magnetic strips.

Product Specification Sheet



15339 Barranca Pkwy  
Irvine, CA 92618 USA  
www.WaveSense.net

Toll Free: 800.807.7760  
Phone: 949.341.1980  
Fax: 949.341.1982  
Contact@WaveSense.net

ML111128-3  
© 1/25/13

Page 1 of 1